

EX2024NL

4

3

2

1

NOTICE: THE INFORMATION AND DESIGN CONTAINED HEREIN IS THE PROPERTY OF PULSE WHO RESERVES ALL RIGHTS THERETO.

D

D

NOTES: UNLESS OTHERWISE SPECIFIED

1.

NOTICE:	THIS IS A RoHS COMPLIANT COMPONENT/PRODUCT. ALL ENGINEERING CHANGES MUST HAVE PRIOR APPROVAL BY THE DESIGN CENTER.
RoHS ✓	

2. HEADER: THERMOSET PLASTIC MATERIAL WITH FLAMMABILITY RATING UL 94V-0 OR BETTER.
3. PCB CONTACTS SOLDER AREA: SN100C TIN PLATING.
4. SOLDERABILITY: CONFORMS TO ANSI/J-STD-002, IPC/EIA J-STD-003A.
5. OPERATING TEMPERATURE: -40°C TO +85°C
6. STORAGE TEMPERATURE: -50°C TO +125°C
7. JEDEC MOISTURE: LEVEL 1.
8. REVISION: MX1, MX2, ..... ARE PRELIMINARY.

C

C

B

B

A

A

PULSE CONFIDENTIAL AND PROPRIETARY



PRODUCT SPECIFICATION

TITLE

MDL, SIN, 10D, 1:2.5, SM, TU

SIZE	CAGE CODE	DWG. NO.	REV.
B01961		EX2024NL	M11
SCALE	CADD FILE	SHEET	
NONE	M-EX2024NL-1	1 OF 3	

12OCT2004

4

2

1

EX2024NL

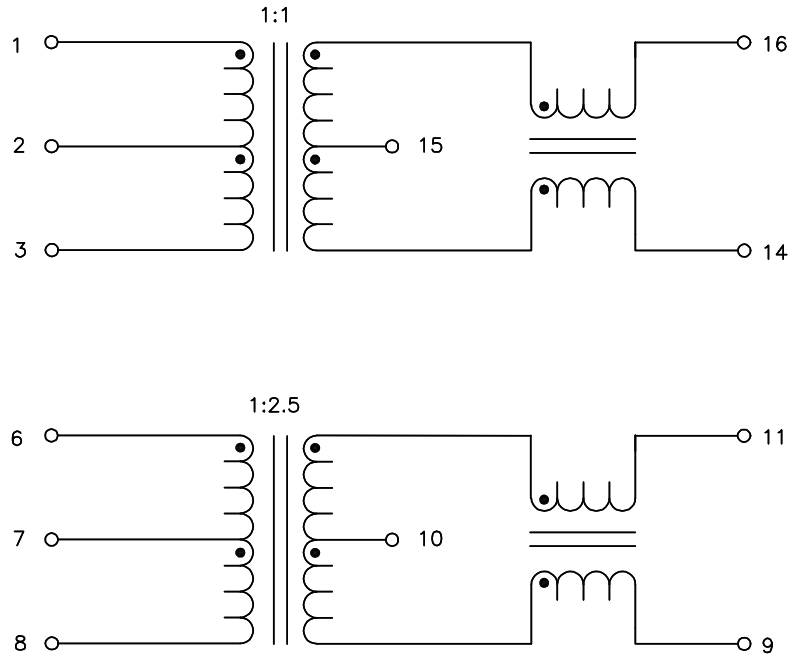
4

3

2

1

NOTICE: THE INFORMATION AND DESIGN CONTAINED HEREIN IS THE PROPERTY OF PULSE WHO RESERVES ALL RIGHTS THERETO.



SCHEMATIC - PINS 4, 5, 12 AND 13 NOT CONNECTED

ELECTRICAL CHARACTERISTICS AT +25°C UNLESS OTHERWISE SPECIFIED  
(FOR REFERENCE ONLY. USED FOR CUSTOMER INFORMATION.)

PARAMETER	SPECIFICATIONS			
URNS RATIO	(6-8):(11-9) = 1:2.5 ±3% (1-3):(16-14) = 1:1 ±3%			
POLARITY	PER SCHEMATIC			
INDUCTANCE (OCL) (MEDIA SIDE, -40°C~85°C)	(1-3) = 200 uH MIN (AT 100 KHz 20 mVRMS) (6-8) = 35 uH MIN			
CAPACITANCE WINDING TO WINDING	30 pF MAX ( AT 100 KHz 20 mVRMS)			
COMMON MODE REJECTION RATIO	1 MHz	30 MHz	40 MHz	100 MHz
	-50 dB MIN	-50 dB MIN	-40 dB MIN	-40 dB MIN
DC RESISTANCE	2.0 OHMS MAX			
LEAKAGE INDUCTANCE	0.8 uH MAX			
INPUT - OUTPUT ISOLATION	1500 VRMS MIN @ 60 SECONDS			

NOTE: f IS FREQUENCY IN MHz.

PULSE CONFIDENTIAL AND PROPRIETARY

SIZE	CAGE CODE	DWG. NO.	REV.
B01961		EX2024NL	M11
SCALE	CADD FILE	SHEET	
NONE	M-EX2024NL-2	2 OF 3	

120072004

4

3

2

1

EX2024NL

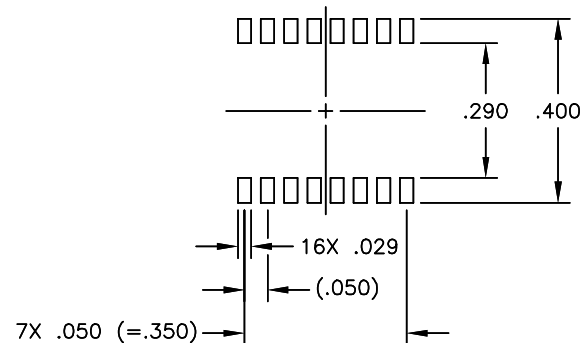
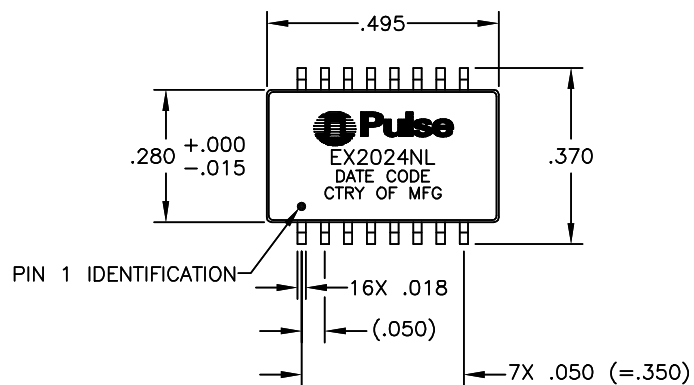
4

3

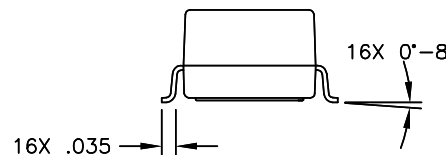
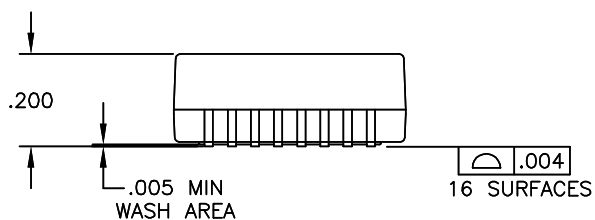
2

1

NOTICE: THE INFORMATION AND DESIGN CONTAINED HEREIN IS THE PROPERTY OF PULSE WHO RESERVES ALL RIGHTS THERETO.



SUGGESTED LAND PATTERN



120CT2004

4

3

2

1

PS-0009.001-F

UNLESS OTHERWISE SPECIFIED, ALL DIMENSIONS ARE IN INCHES TOLERANCES ARE:

DECIMALS	ANGLES
.XX ±.01	± 1°
.XXX ±.005	

DO NOT SCALE DRAWING

PULSE CONFIDENTIAL AND PROPRIETARY

SIZE	CAGE CODE	DWG. NO.	REV.
B01961		EX2024NL	M11
SCALE	CADD FILE	M-EX2024NL-3	SHEET 3 OF 3
NONE			